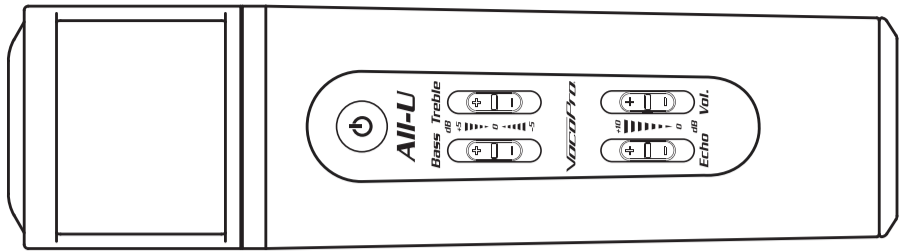


Safety Instructions 3
 FCC Information 5
 Welcome. 7
 Listening for a Lifetime 9
 Before Getting Started 11
 Descriptions and Functions 13
 Getting Connected 17
 Commonly Asked Questions/Specifications 24

The iPhone, iOS, and Android trademarks are property of their respective owners. VocoPro is not affiliated with either company.



All-U Karaoke Mic
Portable All-in-One Karaoke Mic

owner's manual

Safety

CAUTION
RISK OF SHOCK

CAUTION: To reduce the risk of electric shock, do not remove cover (or back). No user-serviceable parts inside. Only refer servicing to qualified service personnel.

WARNING

To reduce the risk of fire or electric shock, do not expose this unit to rain or moisture.

Explanation of Graphical Symbols

The lightning flash & arrowhead symbol, within an equilateral triangle, is intended to alert you to the presence of danger.

The exclamation point within an equilateral triangle is intended to alert you to the presence of important operating and servicing instructions.

- 1. Read Instructions** - All the safety and operating instructions should be read before the appliance is operated.
- 2. Retain Instructions** - The safety and operating instructions should be retained for future reference.
- 3. Heed Warnings** - All warnings on the appliance and in the operating instructions should be adhered to.
- 4. Follow Instructions** - All operating and use instructions should be followed.
- 5. Attachments** - Do not use attachments not recommended by the product manufacturer as they may cause hazards.
- 6. Water and Moisture** - Do not use this unit near water. For example, near a bathtub or in a wet basement and the like.

18. Servicing - The user should not attempt to service the appliance beyond that described in the operating instructions. All other servicing should be referred to qualified service personnel.

Note:
To CATV system installer's (U.S.A.): This reminder is provided to call the CATV system installer's attention to Article 820-40 of the NEC that provides guidelines for proper grounding and, in particular, specifies that the cable ground shall be connected as close to the point of cable entry as practical.

3. NOTE: This product has been tested and found to comply with the requirements listed in FCC Regulations, Part 15 for Class "B" digital devices. Compliance with these requirements provides a reasonable level of assurances that your use of this product in a residential environment will not result in harmful interference with other electronic devices. This equipment generates/uses radio frequencies and, if not installed and used according to the instructions found in the owner's manual, may cause interference harmful to the operation of other electronic devices. Compliance with FCC regulations does not guarantee that interference will not occur in all installations. If this product is found to be the source of interference, which can be determined by turning the unit "Off" and "On", please try to eliminate the problem by using one of the following measures:

- Relocate either this product or the device that is being affected by the interference.
- Use power outlets that are on different branch (circuit breaker or fuse) circuits or install AC line filter(s).
- In the case of radio or TV interference, relocate/reorient the antenna. If the antenna lead-in is 300-ohm ribbon lead, change the lead-in to coaxial type cable.

FCC Information

- 1. IMPORTANT NOTICE: DO NOT MODIFY THIS UNIT!** This product, when installed as indicated in the instructions contained in this manual, meets FCC requirements. Modifications not expressly approved by VocoPro may void your authority, granted by the FCC, to use this product.
- 2. IMPORTANT:** When connecting this product to accessories and/or another product use only high quality shielded cables. Cable(s) supplied with this product MUST be used. Follow all installation instructions. Failure to follow instructions could void your FCC authorization to use this product in the U.S.A.

7. Do not attempt to clean the unit with chemical solvents: this might damage the finish. Use a clean, dry cloth.

8. Be sure to read the "Troubleshooting" section on common operating errors before concluding that your unit is faulty.

9. This unit consumes a fair amount of power even when the power switch is turned off. We recommend that you unplug the power cord from the wall outlet if the unit is not going to be used for a long time. This will save electricity and help prevent fire hazards. To disconnect the cord, pull it out by grasping the plug. Never pull the cord itself.

10. To prevent lightning damage, pull out the power cord and remove the antenna cable during an electrical storm.

11. The general digital signals may interfere with other equipment such as tuners or receivers. Move the system farther away from such equipment if interference is observed.

NOTE:
Please check the copyright laws in your country before recording from records, compact discs, radio, etc. Recording of copyrighted material may infringe copyright laws.

5

Welcome

And thank you for purchasing the **All-U Karaoke Mic** from VocoPro, your ultimate choice in Karaoke entertainment! With years of experience in the music entertainment business, VocoPro is a leading manufacturer of Karaoke equipment, and has been providing patrons of bars, churches, schools, clubs and individual consumers the opportunity to sound like a star with full-scale club models, in-home systems and mobile units. All our products offer solid performance and sound reliability, and to reinforce our commitment to customer satisfaction, we have customer service and technical support professionals ready to assist you with your needs. We have provided some contact information for you below.

VocoPro
1728 Curtiss Court
La Verne, CA 91750
Toll Free: 800-678-5348
Tel: 909-593-8893

7

Listening for A Lifetime

Selecting fine audio equipment such as the unit you've just purchased is only the start of your musical enjoyment. Now it's time to consider how you can maximize the fun and excitement your equipment offers. VocoPro and the Electronic Industries Association's Consumer Electronics Group want you to get the most out of your equipment by playing it at a safe level. One that lets the sound come through loud and clear without annoying blaring or distortion and, most importantly, without affecting your sensitive hearing.

Sound can be deceiving. Over time your hearing "comfort level" adapts to a higher volume of sound. So what sounds "normal" can actually be loud and harmful to your hearing. Guard against this by setting your equipment at a safe level BEFORE your hearing adapts.

- To establish a safe level:
- Start your volume control at a low setting.
 - Slowly increase the sound until you can hear it comfortably and clearly, and without distortion.

- Once you have established a comfortable sound level:
- Set the dial and leave it there.
 - Pay attention to the different levels in various recordings.

Taking a minute to do this now will help to prevent hearing damage or loss in the future. After all, we want you listening for a lifetime.

- 7. Carts and Stands** - The appliance should be used only with a cart or stand that is recommended by the manufacturer.
- 7 A. An appliance and cart combination** should be moved with care. Quick stops, excessive force, and uneven surfaces may cause an overturn.
- 8. Ventilation** - The appliance should be situated so its location does not interfere with its proper ventilation. For example, the appliance should not be situated on a bed, sofa, rug, or similar surface that may block the ventilation slots.
- 9. Heat** - The appliance should be situated away from heat sources such as radiators, heat registers, stoves, or other appliances (including amplifiers) that produce heat.
- 10. Power Sources** - The appliance should be connected to a power supply only of the type described in the operating instructions or as marked on the appliance.
- 11. Grounding or Polarization** - Precautions should be taken so that the grounding or polarization means of an appliance is not defeated.



If these corrective measures do not produce satisfactory results, please contact your local retailer authorized to distribute VocoPro products. If you can not locate the appropriate retailer, please contact VocoPro, 1728 Curtiss Court, La Verne, CA 91750.

CAUTION
The apparatus is not disconnected from the AC power source so long as it is connected to the wall outlet, even if the apparatus itself is turned off. To fully ensure that the apparatus is indeed fully void of residual power, leave unit disconnected from the AC outlet for at least fifteen seconds.

CALIFORNIA PROP 65 WARNING
WARNING: This product contains chemicals known to the state of California to cause cancer and birth defects or other reproductive harm. (California law requires this warning to be given to customers in the State of California.)
For more information: www.vocopro.com/prop65

Voltage Selector (General Model Only)
Be sure to position the voltage selector to match the voltage of your local power lines before installing the unit.



6

Customer Service & General Information:
info@vocopro.com
Tech Support:
techsupport@vocopro.com

Remember Our Website
Be sure to visit the VocoPro website www.vocopro.com for the latest information on new products, packages and promos. And while you're there don't forget to check out our Club VocoPro for Karaoke news and events, chat rooms, club directories and even a KJ service directory!

We look forward to hearing you sound like a PRO, with VocoPro, the singer's ultimate choice.

FOR YOUR RECORDS

Please record the model number and serial number below, for easy reference, in case of loss or theft. These numbers are located on the rear panel of the unit. Space is also provided for other relevant information

Model Number _____

Serial Number _____

Date of Purchase _____

Place of Purchase _____

8

Used wisely, your new sound equipment will provide a lifetime of fun and enjoyment. Since hearing damage from loud noise is often undetectable until it is too late, this manufacturer and the Electronic Industries Association's Consumer Electronics Group recommend you avoid prolonged exposure to excessive noise. This list of sound levels is included for your protection.

Some common decibel ranges:

Level	Example
30	Quiet library, Soft whispers
40	Living room, Refrigerator, Bedroom away from traffic
50	Light traffic, Normal Conversation
60	Air Conditioner at 20 ft., Sewing machine
70	Vacuum cleaner, Hair dryer, Noisy Restaurant
80	Average city traffic, Garbage disposals, Alarm clock at 2 ft.

The following noises can be dangerous under constant exposure:

Level	Example
90	Subway, Motorcycle, Truck traffic, Lawn Mower
100	Garbage truck, Chainsaw, Pneumatics drill
120	Rock band concert in front of speakers
140	Gunshot blast, Jet plane
180	Rocket launching pad

-Information courtesy of the Deafness Research Foundation

Before Getting Started

FEATURES:

- High Quality Condenser Microphone Element
- Compact Form Factor for Ultimate Portability
- Microphone Tone and Echo Effect Adjustments at Your Fingertips
- Long Lasting Internal Rechargeable Battery
- Attractive Metal Finish
- Includes 1/8"-to-USB Input Cables for both Android™ and iPhone®.

INTRODUCTION:

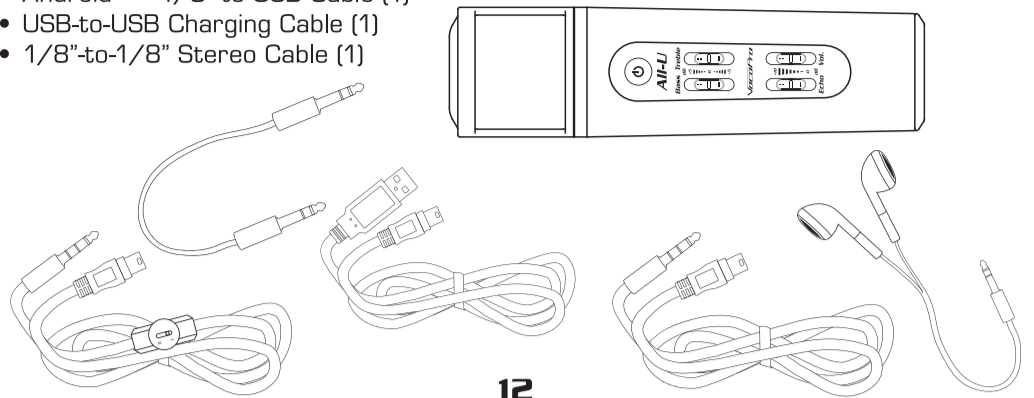
The All-U Karaoke Microphone is a personal karaoke machine. All you need is a smartphone (iPhone® or Android™) loaded with a karaoke app to play music and record your performance.

11

WHAT'S IN THE BOX:

The All-U Karaoke Microphone comes packaged with all the cables required to connect to an iPhone® or Android™ smartphone or computer.

- Headphones (1)
- iPhone® - 1/8"-to-USB Cable (1)
- Android™ - 1/8"-to-USB Cable (1)
- USB-to-USB Charging Cable (1)
- 1/8"-to-1/8" Stereo Cable (1)



12

Descriptions and Functions

MICROPHONE BODY:

- 1. Power** - This button powers the Microphone ON/OFF.
 - a. Press and hold button for 3 seconds to toggle power.
- 2. Bass** - This slider adjusts the amount of Bass (low frequencies) present in the mic audio. Adjust to suit your vocals when performing.
 - a. Slide UP for additional Bass response.
 - b. Slide DOWN for less Bass response.
 - c. Middle position has no alteration to the mic audio.
- 3. Treble** - This slider adjusts the amount of Treble (midrange frequencies) present in the mic audio. Adjust to suit your vocals when performing.
 - a. Slide UP for additional Treble response.
 - b. Slide DOWN for less Treble response.
 - c. Middle position has no alteration to the mic audio.

13

- 4. Echo** - This slide adjusts the amount of Echo effect present in the mic audio.
 - a. Raise the slider position—Increase the Echo effect.
 - b. Lower the slider position—Reduce the Echo effect.
- 5. Volume** - This adjusts the microphone volume.
 - a. Higher the slider position—Higher the volume.

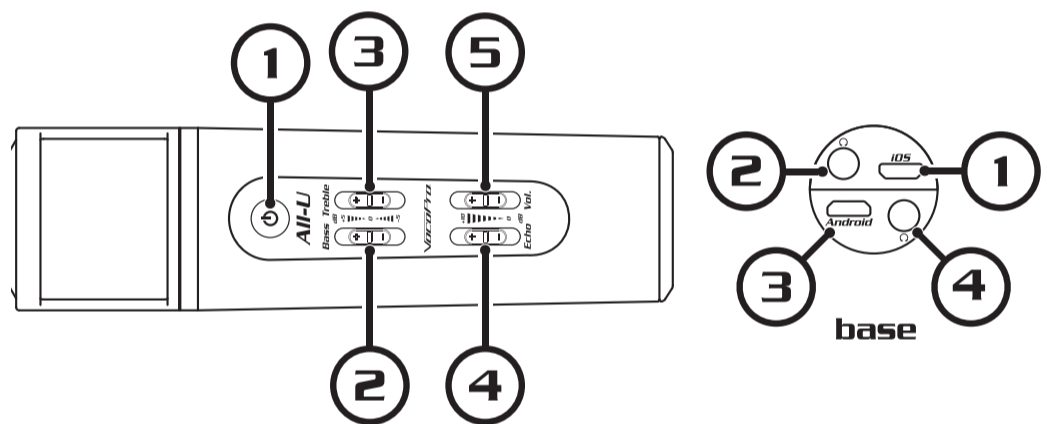
The iPhone, IOS, and Android trademarks are property of their respective owners. VocoPro is not affiliated with either company.

14

MICROPHONE BASE:

- 1. 5V DC Charging Input Jack/iPhone® Audio Input** - This USB Jack has 2 Functions:
 - a. 5V DC Charging Input - Use the included USB-to-USB cable to charge the All-U Karaoke Mic from a computer USB jack; or from a 5V adapter (not included).
 - b. iPhone® Audio Input - When the Microphone is charged, this input is used to interface with an iPhone® running a karaoke app.
- 2. iPhone® Headphone Out** - This 3.5mm (1/8") jack is used for headphones to hear the iPhone® audio mix.
- 3. Android™ Audio Input** - This input is used to interface with an Android™ smartphone running a karaoke app.
- 4. Android™ Headphone Out** - This 3.5mm (1/8") jack is used for headphones to hear the Android™ audio mix.

15

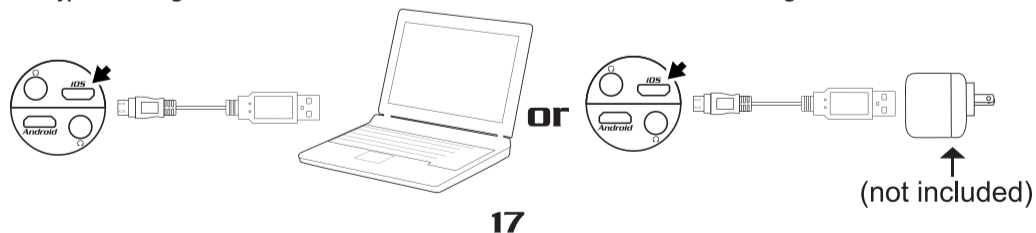


16

Getting Connected

CHARGING THE MICROPHONE:

- To charge the battery, plug one end of the included USB-to-USB cable into the 5V DC Charging Input and the other end into a computer USB jack; or a 5V DC charger such as a cell phone adapter (not included).
 - When charging, the Power Button LED will glow RED.
 - When charging is completed, the Power Button LED will go out.
- Note: Typical charge time is about 3-4 hours. The recommended initial charge is 5 hours.*



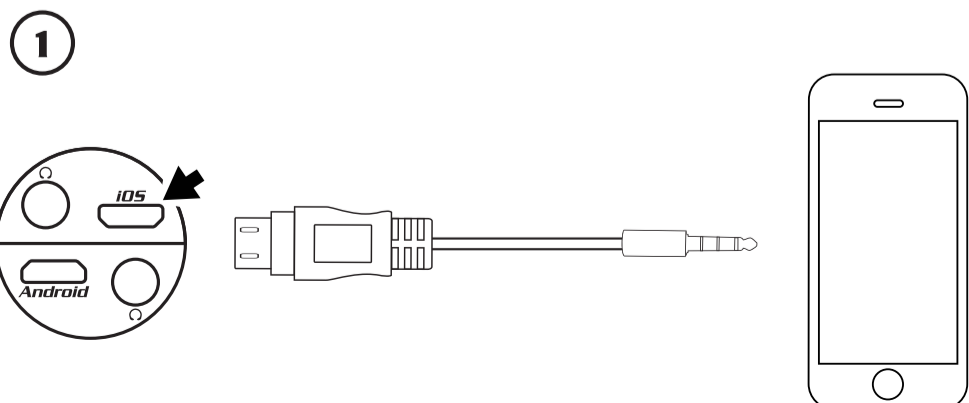
17

USING A SMARTPHONE:

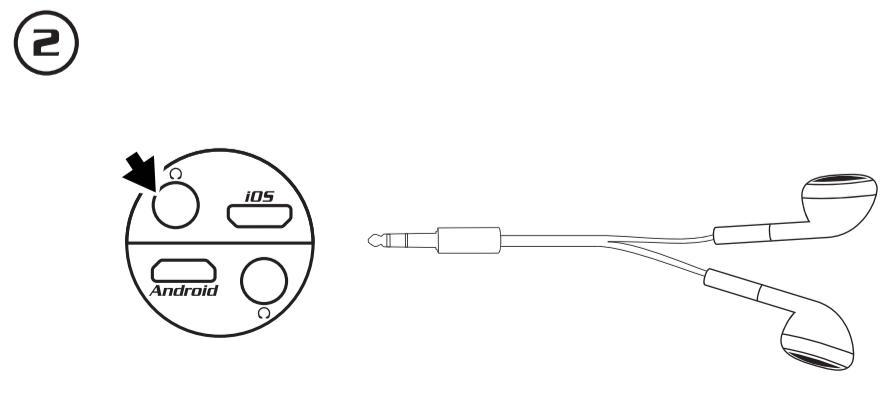
IPHONE®:

- Plug the included 1/8"-to-USB cable labeled "iPhone® Recording Cable" into the All-U Karaoke iPhone Audio Input Jack and also the headphone output on your iPhone®.
- Plug in a set of headphones (included) into the iPhone® Headphone Output to hear your voice.
- Adjust any microphone audio settings to suit your musical tastes.
- Load your preferred karaoke app on your iPhone® to play tracks and to record your performance.

18



19



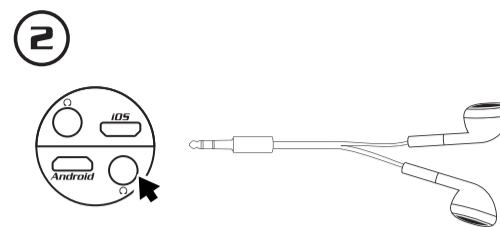
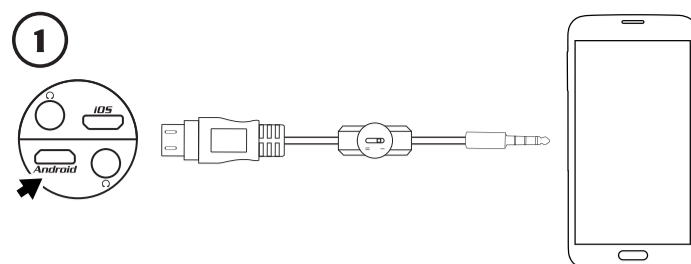
20

ANDROID™:

1. Plug the included 1/8"-to-USB cable labeled "Android™ Mobile Recording Cable" into the All-U Karaoke Android™ Audio Input Jack and also the headphone output on the Android™ smartphone.
2. Plug in a set of headphones (included) into the Android™ Headphone Output to hear your voice.
3. Adjust any microphone audio settings to suit your musical tastes.
4. Load your preferred karaoke app on your Android™ to play tracks and to record your performance.

Note: The Android™ Mobile Recording Cable has a dual position switch, I & II, which changes the recording level. If your recording is low or distorted on position I, try position II.

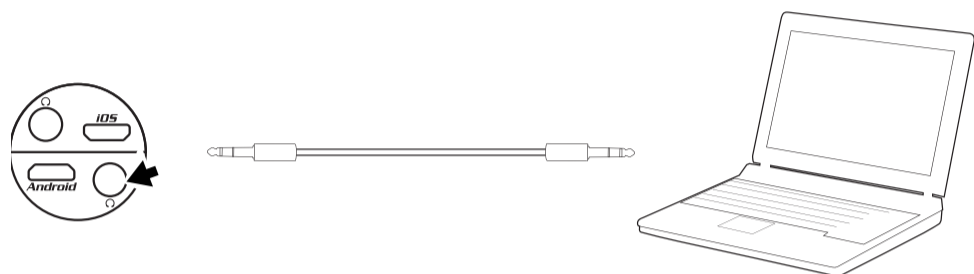
Note: Adjust volume with the dial on the Android™ Mobile Recording Cable.



21

CONNECTING TO A COMPUTER:

- Plug the included 1/8"-to-1/8" Stereo Cable from the Android™ Headphone Output Jack to the Microphone Input on your computer.
- Load your preferred karaoke program on your computer to start your performance.



23

4. What can I do to minimize the pops and hisses audible in the recordings when using smartphones?
 - The pops and hisses are sometimes caused by the smartphone sending and receiving data from the network. Place the phone in airplane mode to help eliminate them.
5. Why is the microphone audio so low?
 - Make sure the Mic Volume slider is not in the bottom position. Be sure to sing into the top of the microphone for full volume; speaking into the sides or edges will yield low or muffled audio.
6. I'm missing cables from the box, what can I do?
 - Please give VocoPro a call at 800-678-5348 regarding any missing or defective parts.

The iPhone, IOS, and Android trademarks are property of their respective owners. VocoPro is not affiliated with either company.

25

Notes

Notes

22

Commonly Asked Questions

1. Why are there different cables for iPhone and Android smartphones?
 - The two types of phones use slightly different headphone output jacks. They can be used interchangeably but for the best audio, use the respective cable for each type of phone.
2. Why is the audio so low when using the Android™ Mobile Recording Cable?
 - The switch has a volume knob on it to raise or lower the audio; make sure this knob is turned up.
3. How long does the battery take to charge?
 - The battery takes about 3-4 hours to fully charge. When charging the microphone the first time, it's recommended to give it 5 hours.

24

SPECIFICATIONS:

- Pickup Type: Condenser
- Power Output: 10mW
- Frequency Response: 28Hz – 20KHz
- Sensitivity: 400mV
- SPL Max: ≥126dB 1KHz (THD <1%)
- Battery: Internal Lithium
- Power Supply: DC 5V.

26

The iPhone, IOS, and Android trademarks are property of their respective owners. VocoPro is not affiliated with either company.