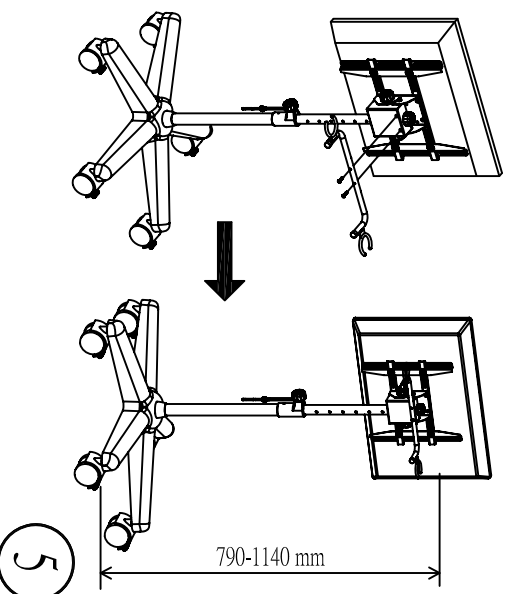
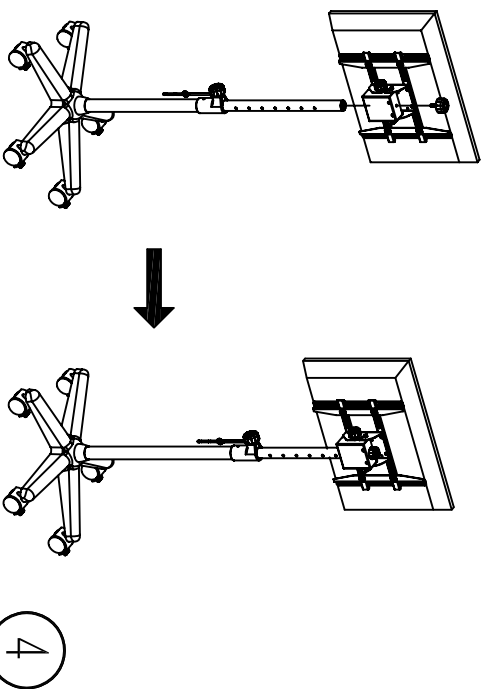
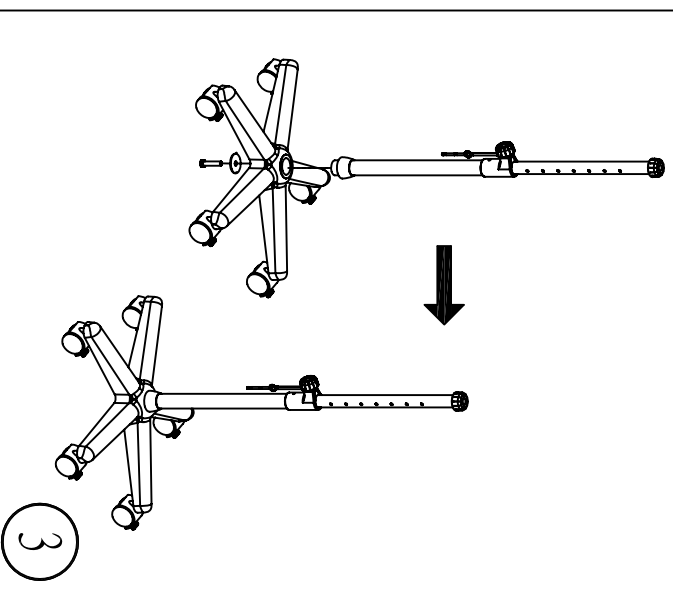
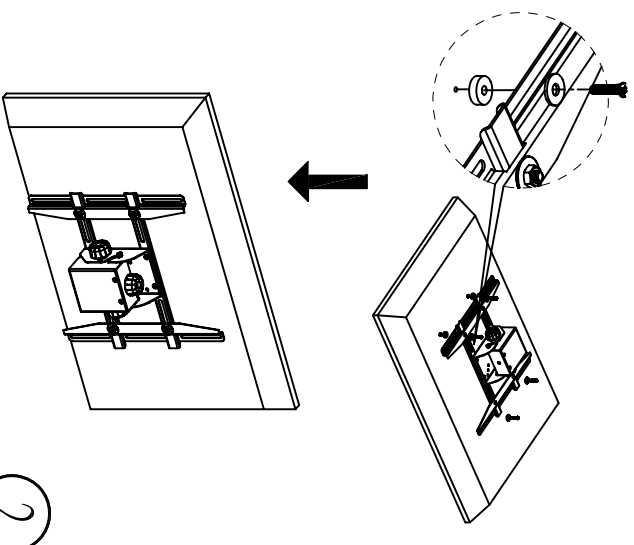
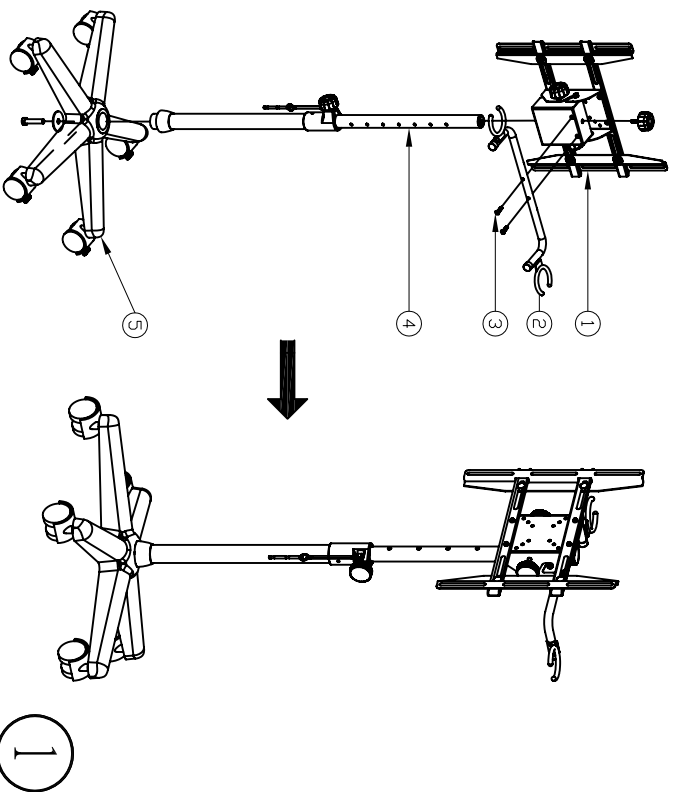


# ASSEMBLY MANUAL

## MS-86



1		1 PCS	8		M10 1 PCS
2		1 PCS	9		M6*16 2 PCS
3		M6*25 2 PCS	10		M5*16 4 PCS
4		1 PCS	11		M4*16 4 PCS
5		1 PCS	12		M8*35 4 PCS
6		1 PCS	13		ø6 4 PCS
7		M6 1 PCS	14		ø5 4 PCS
			15		ø6 4 PCS