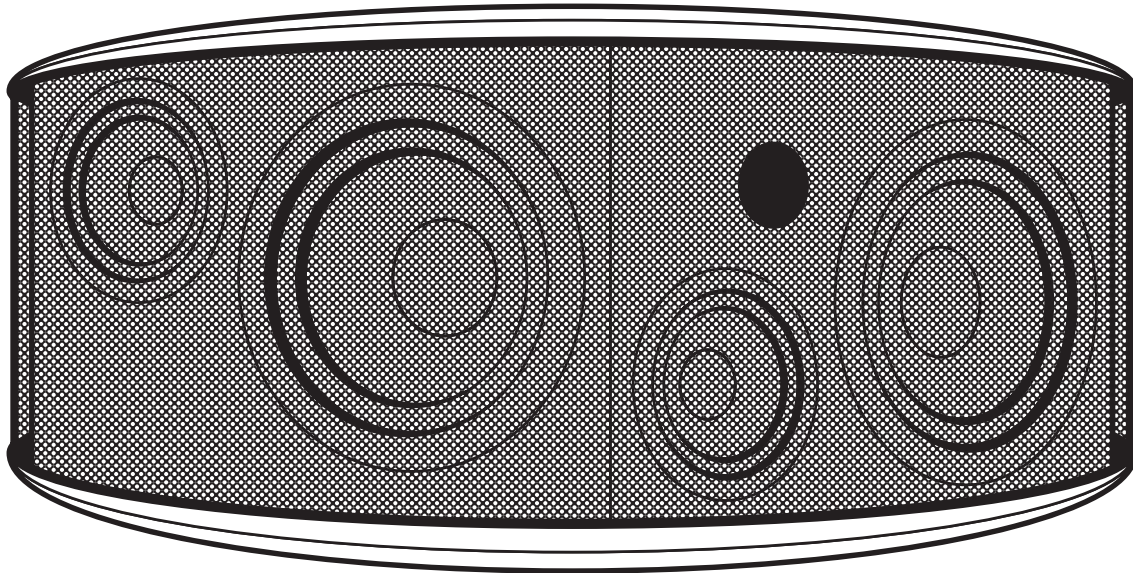




VocoPro[®]
THE SINGERS ULTIMATE CHOICE[™]



UFO-800

Professional Stereo Omni-Directional
600W Vocal Speaker System

Features

- Omni-directional, 360° design projects sound to the whole room.
- Automatically detects between Stereo and Mono modes.
- Includes Six 3" tweeters, Six 6" mid range, One 10" woofer.
- Two ¼" inputs for either stereo or mono output.
- Recessed handles on top for convenient transporting.
- Single-speaker setup is quicker and easier than with multiple speakers.
- Speaker-stand mountable or "flyable" for overhead speaker placement.
- Road-ready construction with a heavy-duty casing and protective metal grill.
- Stereo Mode: 300W + 300W Max / 150W + 150W RMS
Mono Mode: 600W Max / 300W RMS

Specifications

Sensitivity	100dB
Frequency Response	40Hz-20KHz
Consumption	150W [8 Ω] + 150W [8Ω]; 200W [4 Ω]
Resistance Value	4 Ω
Dimenstions	26.8" x 26.8" x 13.4"

OWNER'S MANUAL



Welcome.



And Thank you for purchasing the **UFO-800** from VocoPro, your ultimate choice in Karaoke entertainment! With years of experience in the music entertainment business, VocoPro is a leading manufacturer of Karaoke equipment, and has been providing patrons of bars, churches, schools, clubs and individual consumers the opportunity to sound like a star with full-scale club models, in-home systems and mobile units. All our products offer solid performance and sound reliability, and to further strengthen our commitment to customer satisfaction, we have customer service and technical support professionals ready to assist you with your needs. We have provided some contact information for you below.

VocoPro
1728 Curtiss Court
La Verne, CA 91750
Toll Free: 800-678-5348
TEL: 909-593-8893
FAX: 909-593-8890

Customer Service & General Information
info@vocopro.com

Tech Support
techsupport@vocopro.com

Remember Our Website

Be sure to visit the VocoPro website www.vocopro.com for the latest information on new products, packages and promos. And while you're there don't forget to check out our Club VocoPro for Karaoke news and events, chat rooms, club directories and even a Service directory!

We look forward to hearing you sound like a PRO, with VocoPro, your ultimate choice in Karaoke entertainment.

FOR YOUR RECORDS

Please record the model number and serial number below, for easy reference, in case of loss or theft. These numbers are located on the rear panel of the unit. Space is also provided for other relevant information

Model Number
Serial Number
Date of Purchase
Place of Purchase

Listening For A Lifetime

Selecting fine audio equipment such as the unit you've just purchased is only the start of your musical enjoyment. Now it's time to consider how you can maximize the fun and excitement your equipment offers. VocoPro and the Electronic Industries Association's Consumer Electronics Group want you to get the most out of your equipment by playing it at a safe level. One that lets the sound come through loud and clear without annoying blaring or distortion and, most importantly, without affecting your sensitive hearing.

Sound can be deceiving. Over time your hearing "comfort level" adapts to a higher volume of sound. So what sounds "normal" can actually be loud and harmful to your hearing. Guard against this by setting your equipment at a safe level BEFORE your hearing adapts.

To establish a safe level:

- Start your volume control at a low setting.
- Slowly increase the sound until you can hear it comfortably and clearly, and without distortion.

Once you have established a comfortable sound level:

- Set the dial and leave it there.
- Pay attention to the different levels in various recordings.

Taking a minute to do this now will help to prevent hearing damage or loss in the future. After all, we want you listening for a lifetime.

Used wisely, your new sound equipment will provide a lifetime of fun and enjoyment. Since hearing damage from loud noise is often undetectable until it is too late, this manufacturer and the Electronic Industries Association's Consumer Electronics Group recommend you avoid prolonged exposure to excessive noise. This list of sound levels is included for your protection.


Some common decibel ranges:

Level	Example
30	Quiet library, Soft whispers
40	Living room, Refrigerator, Bedroom away from traffic
50	Light traffic, Normal Conversation
60	Air Conditioner at 20 ft., Sewing machine
70	Vacuum cleaner, Hair dryer, Noisy Restaurant
80	Average city traffic, Garbage disposals, Alarm clock at 2 ft.


The following noises can be dangerous under constant exposure:

Level	Example
90	Subway, Motorcycle, Truck traffic, Lawn Mower
100	Garbage truck, Chainsaw, Pneumatics drill
120	Rock band concert in front of speakers
140	Gunshot blast, Jet plane
180	Rocket launching pad

Safety Instructions



CAUTION
RISK OF SHOCK



CAUTION: To reduce the risk of electric shock, do not remove cover (or back). No user-serviceable parts inside. Only refer servicing to qualified service personnel.

Explanation of Graphical Symbols



The lightning flash & arrowhead symbol, within an equilateral triangle, is intended to alert you to the presence of danger.



The exclamation point within an equilateral triangle is intended to alert you to the presence of important operating and servicing instructions.

WARNING

To reduce the risk of fire or electric shock, do not expose this unit to rain or moisture.

1. Read Instructions - All the safety and operating instructions should be read before the appliance is operated.

2. Retain Instructions - The safety and operating instructions should be retained for future reference.

3. Heed Warnings - All warnings on the appliance and in the operating instructions should be adhered to.

4. Follow Instructions - All operating and use instructions should be followed.

5. Attachments - Do not use attachments not recommended by the product manufacturer as they may cause hazards.

6. Water and Moisture - Do not use this unit near water. For example, near a bathtub or in a wet basement and the like.

7. Carts and Stands - The appliance should be used only with a cart or stand that is recommended by the manufacturer.

7 A. An appliance and cart combination should be moved with care. Quick stops, excessive force, and uneven surfaces may cause an overturn.



8. Ventilation - The appliance should be situated so its location does not interfere with its proper ventilation. For example, the appliance should not be situated on a bed, sofa, rug, or similar surface that may block the ventilation slots.

9. Heat - The appliance should be situated away from heat sources such as radiators, heat registers, stoves, or other appliances (including amplifiers) that produce heat.

10. Power Sources - The appliance should be connected to a power supply only of the type described in the operating instructions or as marked on the appliance.

11. Grounding or Polarization - Precautions should be taken so that the grounding or polarization means of an appliance is not defeated.

12. Power-Cord Protection - Power-supply cords should be routed so that they are not likely to be walked on or pinched by items placed upon or against them, paying particular attention to cords at plugs, convenience receptacles, and the point where they exit from the appliance.

13. Cleaning - Unplug this unit from the wall outlet before cleaning. Do not use liquid cleaners or aerosol cleaners. Use a damp cloth for cleaning.

14. Power lines - An outdoor antenna should be located away from power lines.

15. Nonuse Periods - The power cord of the appliance should be unplugged from the outlet when left unused for a long period of time.

16. Object and Liquid Entry - Care should be taken so that objects do not fall and liquids are not spilled into the enclosure through openings.

17. Damage Requiring Service - The appliance should be serviced by qualified service personnel when:

- A. The power supply cord or plug has been damaged; or
- B. Objects have fallen into the appliance; or
- C. The appliance has been exposed to rain; or
- D. The appliance does not appear to operate normally or exhibits a marked change in performance; or
- E. The appliance has been dropped, or the enclosure damaged.

18. Servicing - The user should not attempt to service the appliance beyond that described in the operating instructions. All other servicing should be referred to qualified service personnel.

Note:

To CATV system installers (U.S.A.): This reminder is provided to call the CATV system installer's attention to Article 820-40 of the NEC that provides guidelines for proper grounding and, in particular, specifies that the cable ground shall be connected as close to the point of cable entry as practical.

Setting Up the UFO-800

Mounting on a speaker stand

When mounting the UFO-800 on to a speaker stand, you will need to use the UFO-800 speaker stand adapter.

Caution: Before mounting, make sure that all fasteners on the speaker stand are fully tightened.

1. Fit the UFO-800 speaker stand adapter onto the speaker stand and tighten all 4 screws/bolts securely (See Fig. A)
2. Place the UFO-800 onto the speaker stand (See Fig. B)

* Speaker stand and speaker stand adapter not included.

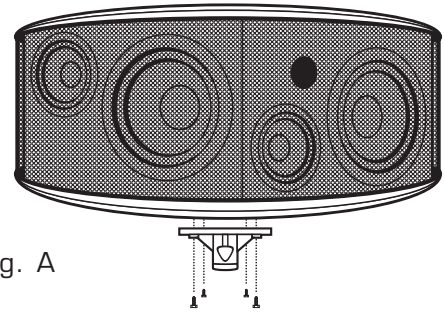


Fig. A

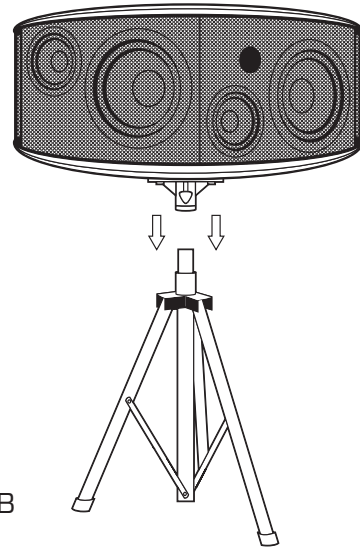
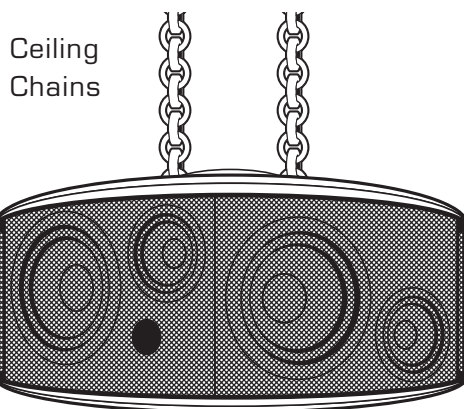


Fig. B

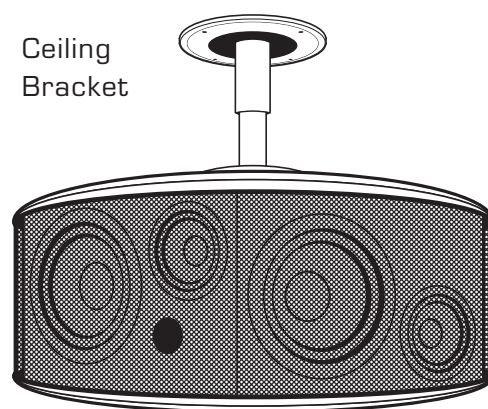
Hanging from the Ceiling

The UFO-800 can also be hung from the ceiling using ceiling chains, ceiling bracket or threaded rod for professional installation.

NOTE: Because all venues are unique, consult a professional equipment installation expert to help you determine which is the best overhead setup for you.



Ceiling
Chains



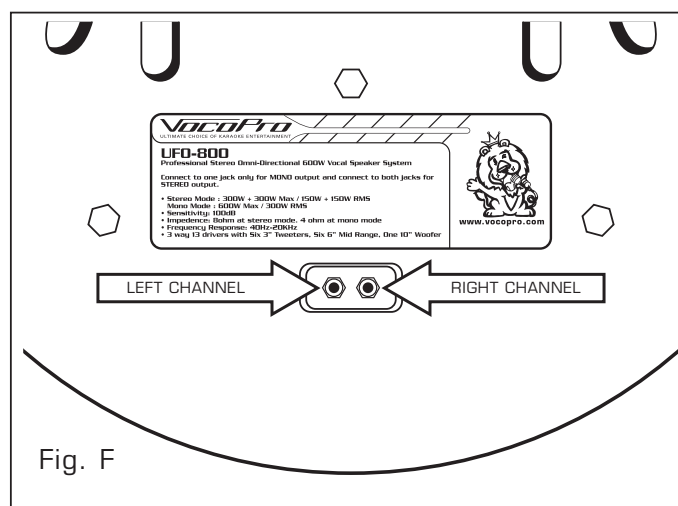
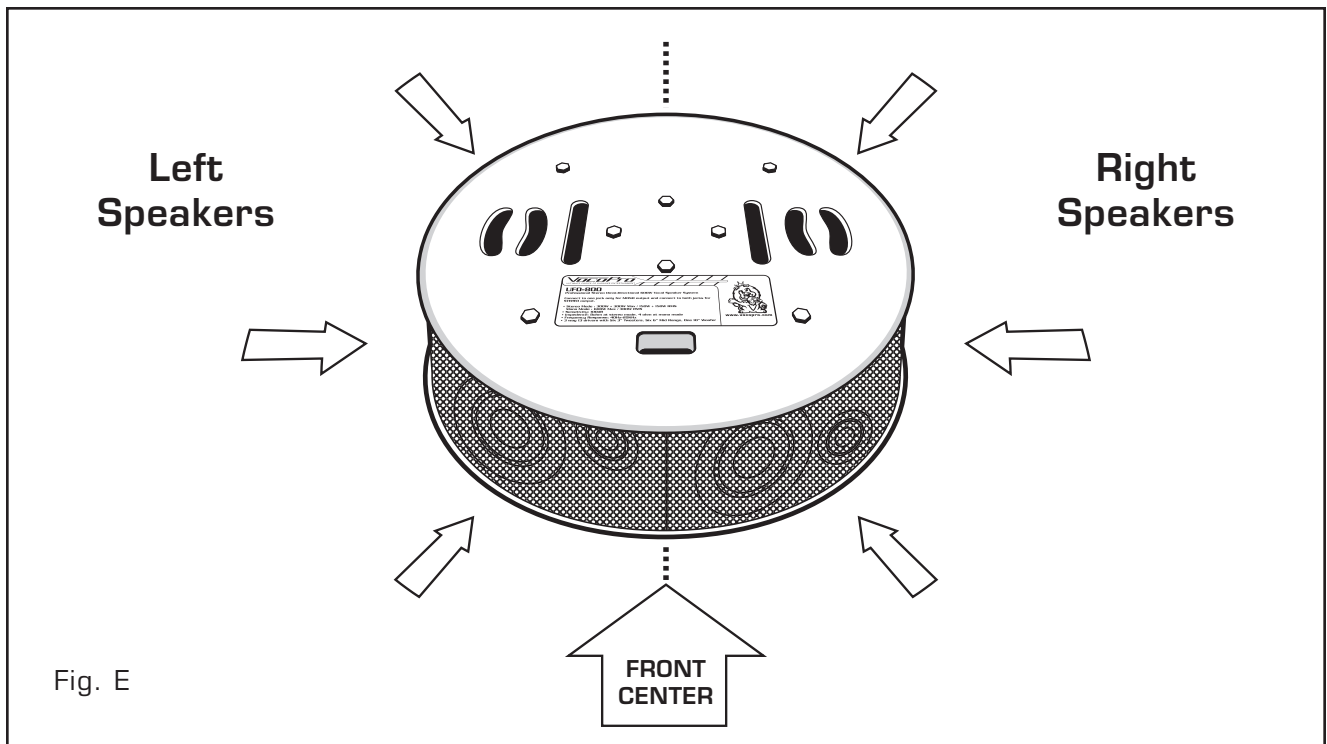
Ceiling
Bracket

Positioning the UFO-800

The ¼" speaker cable inputs mark the front and center of the UFO-800. (See Figure E)

- The left stereo channel will play out of the speakers that are to the left of the center. (See Figure F)
- The right stereo channel will play out of the speakers that are to the right of the center. (See Figure F)

NOTE: The above configuration applies to STEREO mode. In MONO mode, all of the speakers will play the same thing.



Getting Connected

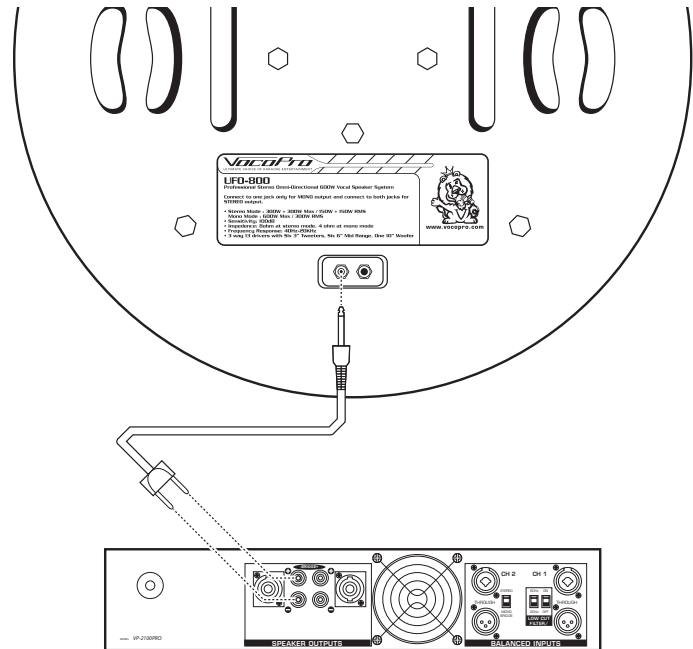
The UFO-800 automatically switches between MONO and STEREO output modes by detecting whether you have one or two speaker cables connected.

1. For MONO mode

Using one 1/4" to Banana Plug speaker cable:

1. Connect the Banana Plug end to the outputs on your amp.
2. Connect the 1/4" end to one of the 1/4" inputs on the top of the UFO-800.

If your amplifier has output jacks other than MDP (Banana Plug), they will work with the UFO-800.



Vocopro VP-2100

2. For STEREO mode

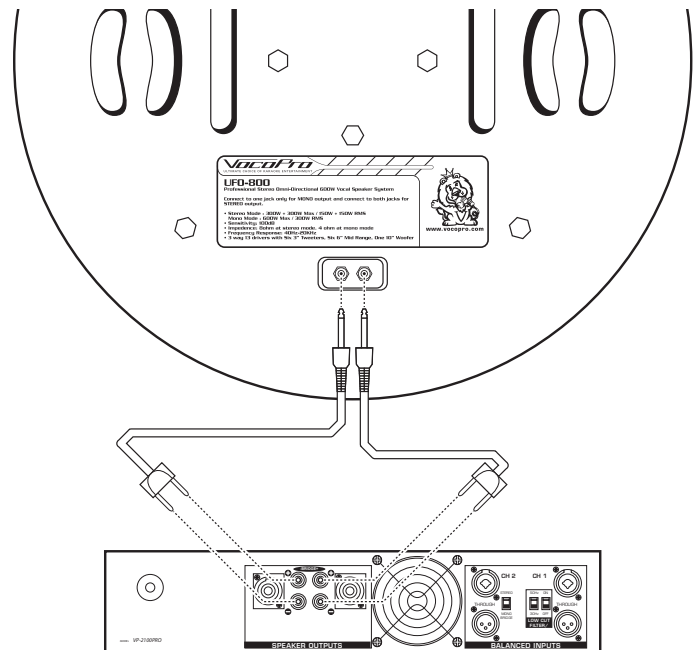
Using two 1/4" to Banana Plug speaker cables:

1. Connect the Banana Plug end of the first cable to the output on your amp.

2. 1/4" inputs on the top of the UFO-800.

3. Connect the Banana Plug end of the second cable to the output on your amp.

4. 1/4" input on the top of the UFO-800.



Vocopro VP-2100



VocoPro[®]

THE SINGERS ULTIMATE CHOICE[™]



UFO-800 MANUAL ©2006 VOCOPRO
WWW.VOCOPRO.COM